

INTELLANAV STABLEPOINT™

ABLATION CATHETER

Featuring DIRECTSENSE™ Technology

Contact Force and Local Impedance



Ordering Information: INTELLANAV STABLEPOINT

Electrode Configuration: Quadripolar

Electrode Spacing: 4 - 2.5 - 2.5mm

Model Number	Shaft Size	Tip Size	Curve Style	Shaft Length
M004 ERFSDS9620 0	7.5F	7F / 4mm	Standard	110cm
M004 ERFSDS9620K2 0	7.5F	7F / 4mm	Large	110cm

Compatible Sheath: ≥8.5F

RHYTHMIA HDx™ MAPPING SYSTEM

Components

Model Number	Description
M004 RARC03 0	INTELLANAV STABLEPOINT Catheter Cable 200 cm (6.6. Ft)
M004 RA6301 0	INTELLANAV STABLEPOINT Connection Box - MAESTRO
M004 117 0	METRIQ™ Irrigation Tubing Set
M004 4100 0	METRIQ™ Irrigation Pump
M004 4000 0	MAESTRO 4000™ Controller
M004 EPT4010 0	MAESTRO 4000™ Pod, 150 W



INTELLANAV STABLEPOINT Catheter Cable

Only compatible with MAESTRO 4000 Controller & METRIQ Irrigation Pump



Case image provided courtesy of Prof Gupta.



RHYTHMIA HDx Ablation Connection Box - INTELLANAV STABLEPOINT

INTELLANAV STABLEPOINT™

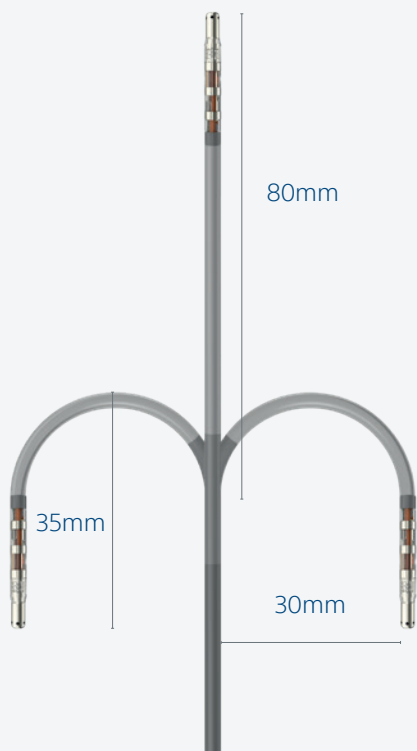
ABLATION CATHETER

Featuring DIRECTSENSE™ Technology

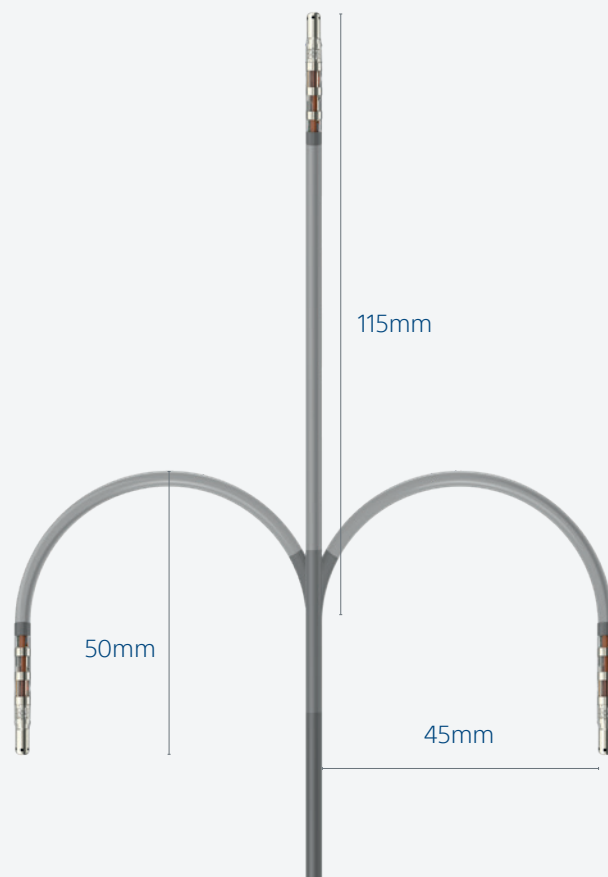
Contact Force and Local Impedance

BIDIRECTIONAL CURVE OPTIONS:

Standard Curve
M004 ERFSDS9620 0



Large (K2) Curve
M004 ERFSDS9620K2 0



Catheter measurements are approximate.

Catheter configurations are illustrative representations only and may not reflect actual performance.

ABLATE WITH DEEPER INSIGHTS

**Boston
Scientific**
Advancing science for life™

All images are the property of Boston Scientific. All trademarks are the property of their respective owners.

CAUTION: The law restricts these devices to sale by or on the order of a physician. Indications, contraindications, warnings and instructions for use can be found in the product labelling supplied with each device. Products shown for INFORMATION purposes only and may not be approved or for sale in certain countries. This material not intended for use in France.

2020 Copyright © Boston Scientific Corporation or its affiliates. All rights reserved. EP-815001-AB

www.bostonscientific.eu

© 2020 Boston Scientific Corporation or its affiliates. All rights reserved.

DINP2302EB