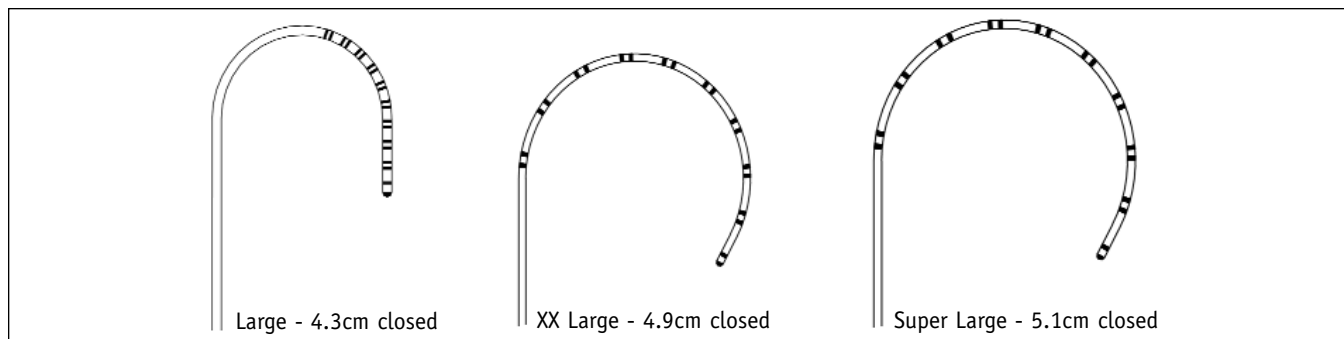


# Ten-Ten™ Duodecapolar Diagnostic Catheters



## Product Information

### Duodecapolar Diagnostic Mapping Catheters - 7F Diameter

Catheter Model No.	Description	French Size	Electrode Size	Electrode Spacing	Curve Type	Cable Model No.
M004 81902 0	1120-7-13-L	7F	Tip 1/Band 1	1-3mm	Large	85931
M004 81202 0	1120-7-2-10-XXL	7F	Tip 1/Band 1	2-10mm	XX Large	85931
M004 81207 0	1120-7-5-SL	7F	Tip 1/Band 1	5mm	Super Large	85931
M004 81209 0	1120-7-25-SL	7F	Tip 1/Band 1	2-5mm	Super Large	85931

### Duodecapolar Diagnostic Mapping Catheters - 7F Diameter

Catheter Model No.	Description	Electrode Spacing (mm)	Curve Type	Cable Model No.
M004 81211 0	1120-7-2(20)2(25)2-SL	2-(20)-2-(25)-2	Super Large	85931

Indications, contraindications, warnings and instructions for use can be found in the instructions for use supplied with each device. CAUTION: Federal (USA) law restricts these devices to sale by or on the order of a physician.

©2007 Boston Scientific Corporation or its affiliates. All rights reserved. EPT-0015\_04/07

**Boston  
Scientific**

For additional product information call Customer Service at (888) 272-1001

[www.bostonscientific.com/electrophysiology](http://www.bostonscientific.com/electrophysiology)