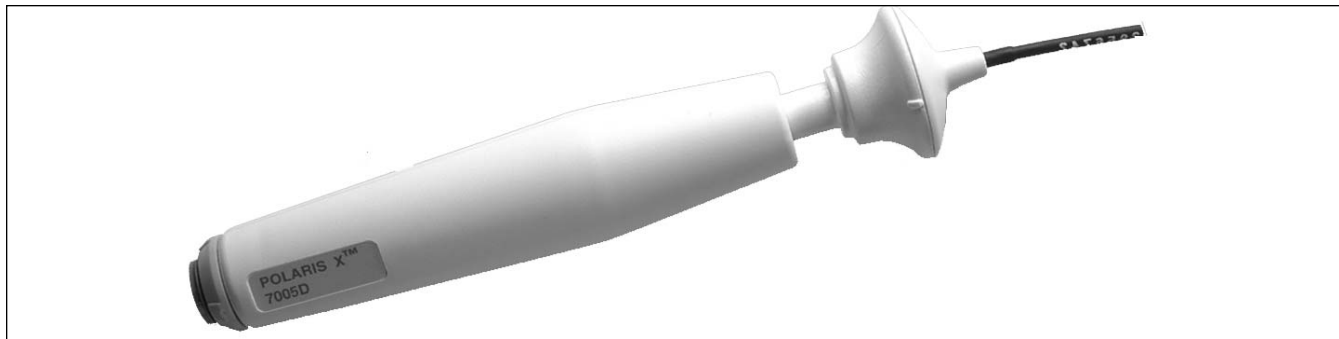


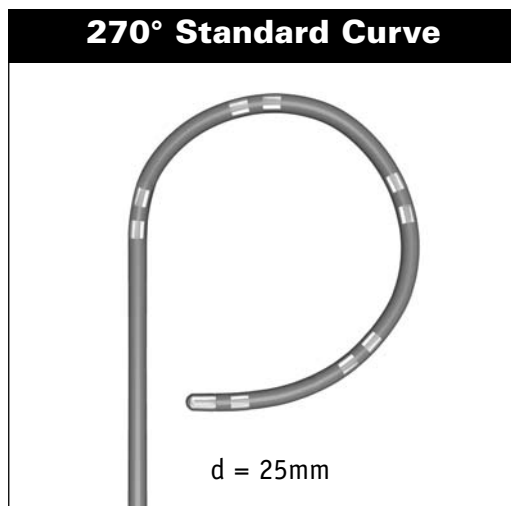
# Polaris X™ Steerable Decapolar Mapping Catheters



## Product Information

Catheter Model No.	Shaft Size	Curve Style	Electrode Configuration	Electrode Spacing	Cable Model No.
M004 <b>7000D</b> 0	6F	270° Standard	Decapolar	2.5mm	M004 <b>5454S</b> 0
M004 <b>7001D</b> 0	6F	270° Standard	Decapolar	5mm	M004 <b>5454S</b> 0
M004 <b>7003D</b> 0	6F	270° Standard	Decapolar	2.5/5/2.5mm	M004 <b>5454S</b> 0
M004 <b>7004D</b> 0	6F	270° Standard	Decapolar	2/8/2mm	M004 <b>5454S</b> 0
M004 <b>7005D</b> 0	6F	270° Standard	Decapolar	2/10/2mm	M004 <b>5454S</b> 0

Note: All Polaris X Steerable Decapolar Mapping Catheters are 105cm in length.



Indications, contraindications, warnings and instructions for use can be found in the instructions for use supplied with each device. CAUTION: Federal (USA) law restricts these devices to sale by or on the order of a physician.

©2007 Boston Scientific Corporation or its affiliates. All rights reserved. EPT-0015 \_ 04/07

**Boston  
Scientific**

For additional product information call Customer Service at (888) 272-1001

[www.bostonscientific.com/electrophysiology](http://www.bostonscientific.com/electrophysiology)