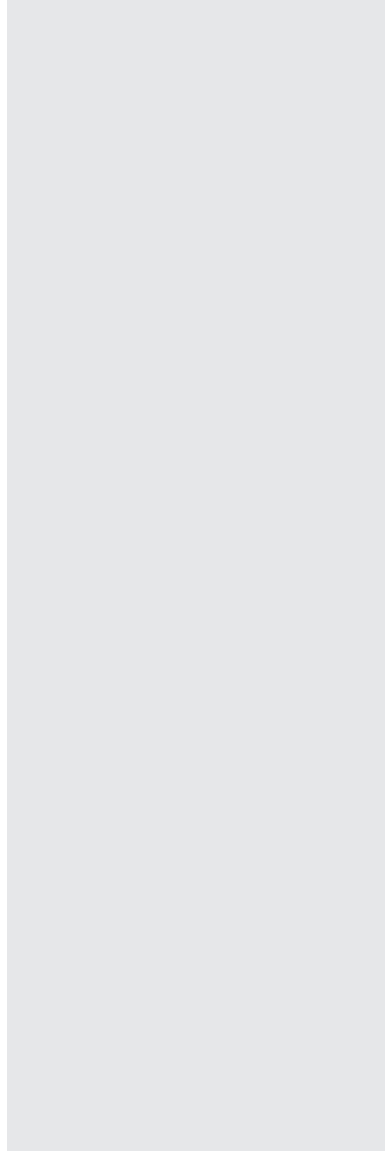


Boston Scientific

Advancing science for life™

Vercise™ DBS Programming Wand Directions for Use



Rx ONLY CAUTION: Federal law restricts this device to sale,
distribution and use by or on the order of a physician.

92104387-01
Content: 92116331 REV A

Trademarks

All trademarks are the property of their respective holders.

Guarantees

Boston Scientific Corporation reserves the right to modify, without prior notice, information relating to its products in order to improve their reliability or operating capacity.

Additional Information

For indications, contraindications, warnings, precautions, adverse events summary, physician instructions, sterilization, and component disposal, refer to the *Information for Prescribers DFU*. For other device-specific information not included in this manual or labeling symbols, refer to the appropriate DFU as listed on your DBS *Reference Guide*.

Product Model Numbers

Model Number	Description
DB-7190 and NM-7190	Programming Wand

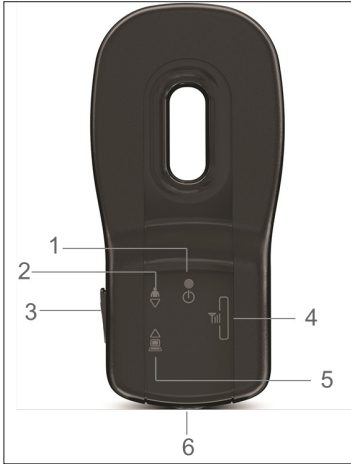
Technical Support

There are no user serviceable parts. If you have a specific question or issue, please contact your healthcare professional. If you need to contact Boston Scientific for any other reason, please call (833) DBS-INFO or (833) 327-4636.

Description

The Programming Wand is used to communicate data between the Clinician Programmer and the Stimulator (Implantable Pulse Generator or External Trial Stimulator).

Programming Wand



Directions for Use

1. Connect the Programming Wand to the Clinician Programmer using a USB cable. Plug the USB cable into the USB port on the Clinician Programmer (CP) and the USB port (#3 on diagram) on the side of the Programming Wand (Wand).

CAUTION: Avoid direct contact of the Programming Wand with the patient.

NOTE: Clinician Programmer is IEC 60950 compliant.

The Wand will perform a short self-test. At the end of the self-test, the Wand will beep.

- If the Power Light (#1) turns green, the Wand is ready for use.
 - If the Power Light remains red, contact a Boston Scientific representative, or call Customer Service.
2. During normal operation:
 - The CP Communication Indicator (#5) will flash whenever data is successfully transmitted between the CP and the Wand.
 - The Stimulator Communication Indicator (#2) will flash whenever data is successfully transmitted between the Stimulator and the Wand.
 - If communication fails, the Wand will beep up to three times. Move the Wand closer to the Stimulator and/or change the orientation of the Wand to improve wireless communication.
- NOTE: Common sources of interference, such as computers and their power adapters, can reduce the wireless range between the Stimulator and the Wand. To increase range, move the Wand six inches or more from these devices.*
- After communication begins, the Signal Strength bars (#4) will indicate the strength of the wireless connection between the Stimulator and the Wand.
3. After programming is complete, you may disconnect the Wand.
 4. Optional: The Wand is designed to be used with a standard mount (for example, standard camera tripod). See #6 on the diagram.

Boston Scientific

Advancing science for life™



Legal Manufacturer

Boston Scientific Neuromodulation
Corporation
25155 Rye Canyon Loop
Valencia, CA 91355 USA
(866) 789-5899 in US and Canada
(661) 949-4000, (661) 949-4022 Fax
(866) 789-6364 TTY
www.bostonscientific.com
Email: neuro.info@bsci.com



Australian Sponsor Address

Boston Scientific (Australia) Pty Ltd
PO Box 332
BOTANY
NSW 1455
Australia
Free Phone 1800 676 133
Free Fax 1800 836 666



EU Authorized Representative

Boston Scientific Limited
Ballybrit Business Park
Galway, Ireland
T: +33 (0) 1 39 30 97 00
F: +33 (0) 1 39 30 97 99

© 2018 Boston Scientific Corporation
or its affiliates. All rights reserved.

92104387-01 2018-06